

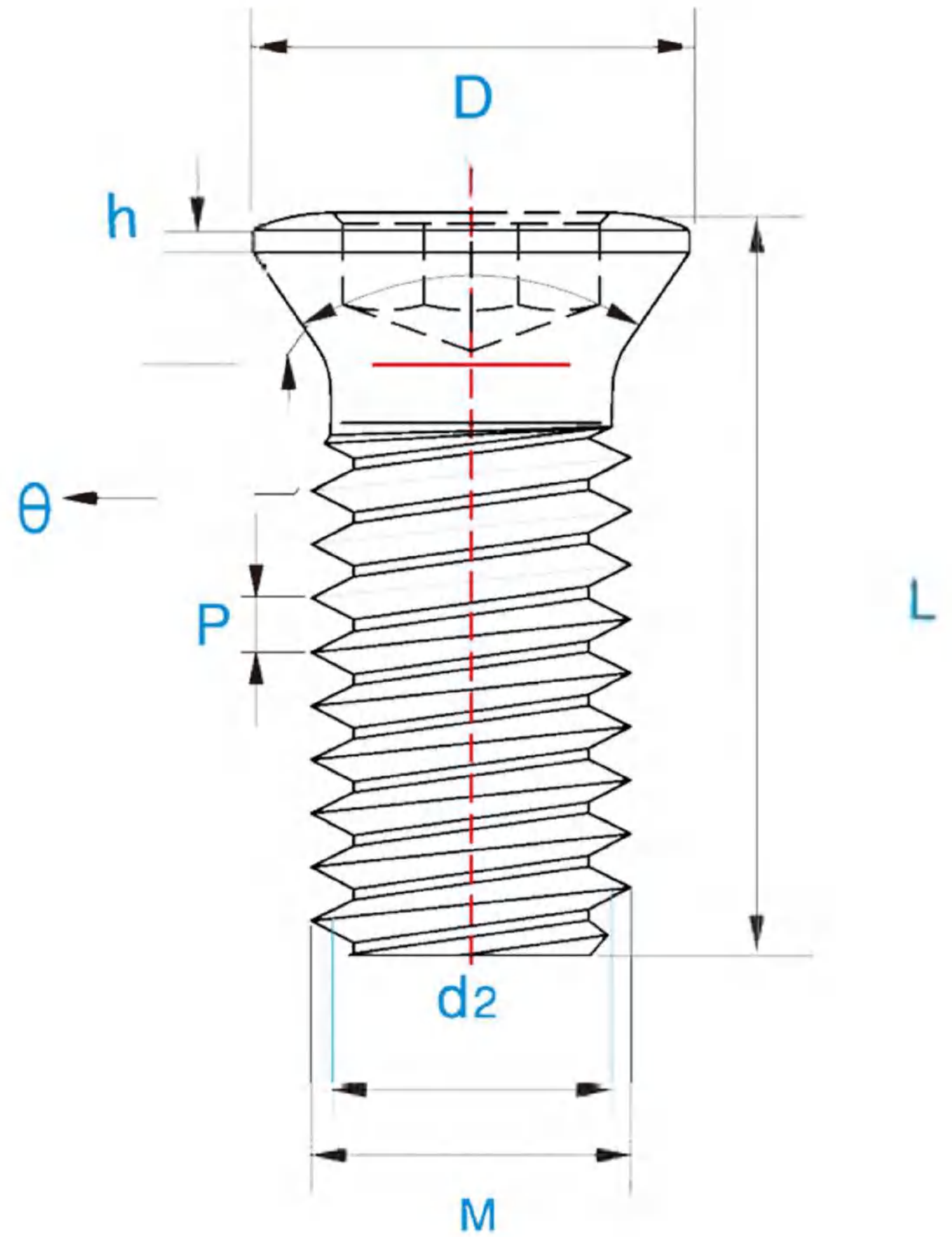
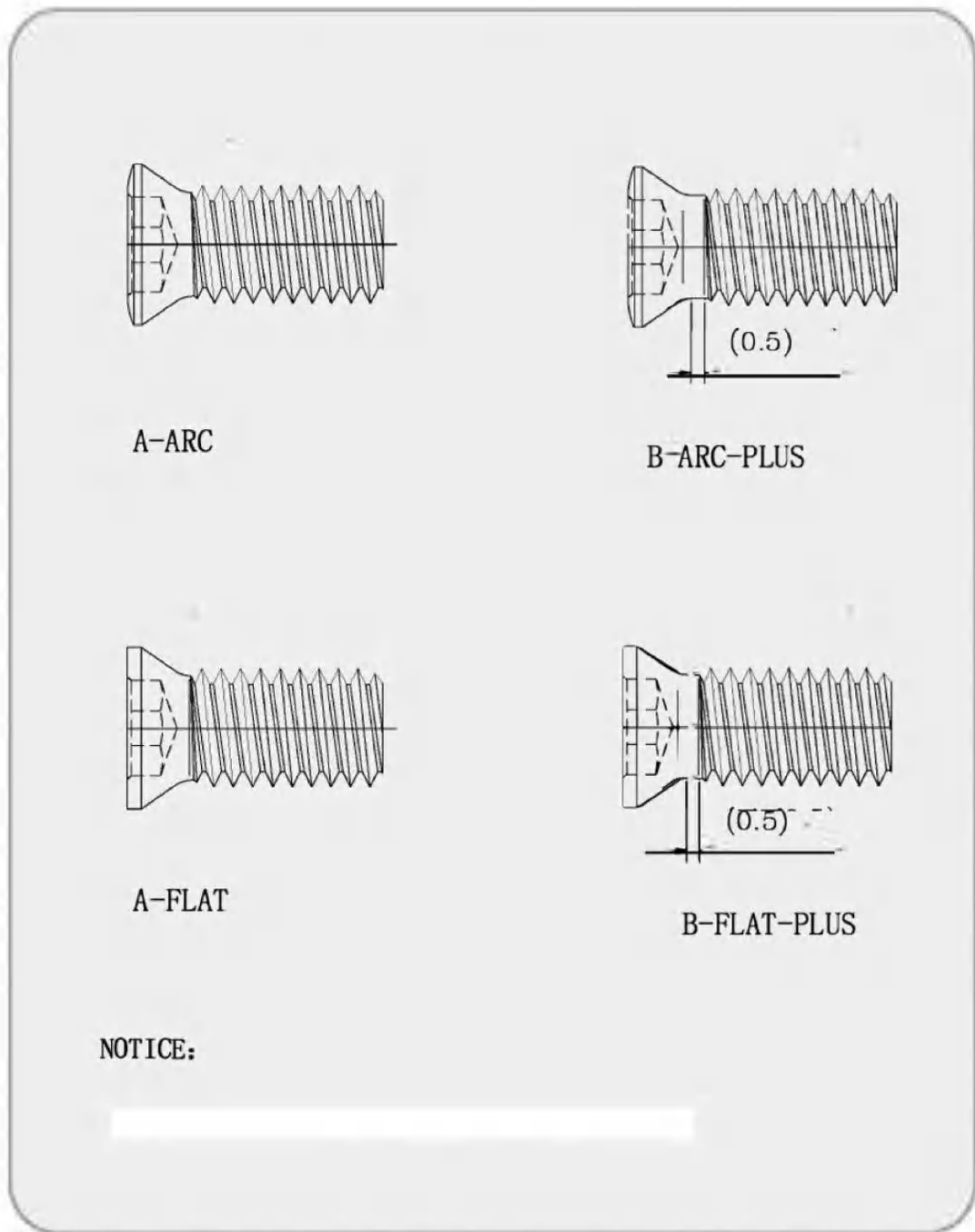
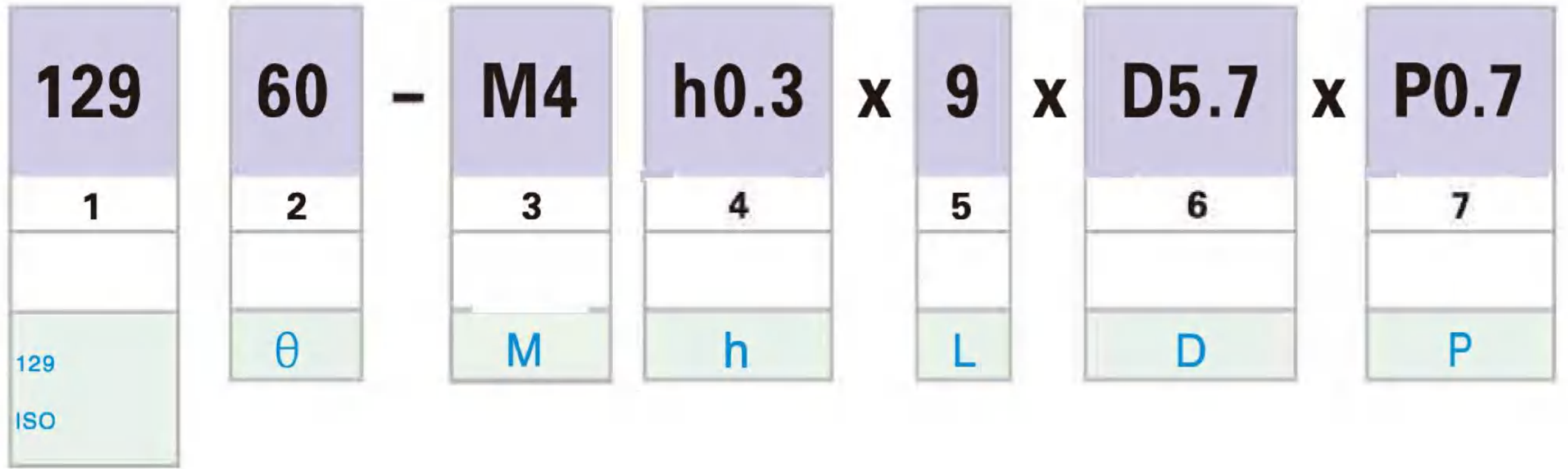


EURLOY

YEDEK PARÇALAR


SPARE PARTS







Şekil / Shape	NO	Özellikler / Specifications
	1	12960-M1/8X12X40GXD5. 5XT10 (Y12-0240)
	2	12960-M1. 6h0. 2X3. 2XD2. 5XT6 (Y12-0182)
	3	12960-M1. 7X3. 3XD2. 7XT6 (Y12-0257)
	4	12955-M1. 8h0. 3X3. 65XD2. 5XT6 (Y12-0280)
	5	12955-M1. 8h0. 3X4XD2. 4XT6 (Y12-0234)
	6	12955-M1. 8h0. 3X4XD2. 7XT6 (Y12-0006-2)
	7	12955-M1. 8h0. 5X4XD2. 4XT6 (Y12-0006-4)
	8	12955-M1. 8h0. 5X4XD2. 5XT6 (Y12-0314)
	9	12955-M1. 8h0. 7X4XD2. 5XT6 (Y12-0319)

Şekil / Shape	NO	Özellikler / Specifications
	10	12950-M2. 0h0. 6X5XD2. 85XT6 (Y12-0010)
	11	12950-M2. 0h0. 8X5XD3. 0XT6 (BIG-TP08) (Y12-0088)
	12	12950-M2. 0X6XD2. 85XT6 (Y12-0010-1)
	13	12960-M2. 0h0. 3X3. 3XD2. 8XT6 (MSA-2033) (Y12-0089)
	14	12960-M2. 0h0. 6X4XD2. 85XT6 (Y12-0075)
	15	12982-M2. 0X5. 5XD3. 8XT6 TS2D
	16	129R3-M2. 0X2. 95XD2. 78XIP6 (Y12-0300)
	17	12950-M2. 2h0. 7X5XD3. 0XP0. 45XT6 (Y12-0065-1)
	18	12950-M2. 2h0. 7X6XD3. 0XP0. 45XT6 (Y12-0065)
	19	12950-M2. 2X5. 0XD2. 8XT6 (Y12-0311)
	20	12960-M2. 2h0. 3X4. 5XD3. 0XP0. 45XT7 (MSA-2245) (Y12-0090)
	21	12960-M2. 2h0. 6X5XD2. 85XP0. 4XT7 (Y12-0031)
	22	12960-M2. 2h0. 6X8XD2. 85XT7 (Y12-0031-01)
	23	12960-M2. 2h0. 8X5. 0XD3. 0XP0. 45XT7 (Y12-0118)
	24	12960-M2. 2h0. 9X6. 3X3. 1XP0. 45XT7 (Y12-0214-1)
	25	12960-M2. 2h0. 9X6. 3X3. 1XP0. 45XT7 (Y12-0214-1)
	26	12960-M2. 2h0. 9X6. 3X3. 1XP0. 4XT7 (Y12-0214)
	27	12960-M2. 2X5. 3XD3. 1XP0. 45XT7 (Y12-0243)
	28	12960-M2. 2X5XD3. 0XP0. 4XT7 (Y12-0332)
	29	12960-M2. 2X6XD2. 85XP0. 4XT7 (Y12-0031-2)
	30	12980-M2. 2h0. 4X6XD3. 8XP0. 4XT6 (Y12-0208)
	31	12990-M2. 2h0. 7X4. 6XD3. 5XT7 (Y12-0291)
	32	12990-M2. 2h0. 7X5. 0XD3. 5XT7 (Y12-0291-1)
33	12990-M2. 2h0. 7X6. 1XD3. 5XT7 (Y12-0289)	

Not: Müşterinin isteğine göre özel ölçülerde ve yüksek mukavemetli Torqs uç vidaları yapılabilir.

Note: The other countries with a variety of specifications and use high-strength blades Torx screws, can be customized according to customer needs.

Şekil / Shape	NO	Özellikler / Specifications
	34	12940-M2. 5h0. 5X6XD3. 6XT8 (Y12-0002)
	35	12940-M2. 5X4. 5XD3. 6XT8 (Y12-0002-2)
	36	12940-M2. 5X5XD3. 6XT8 (Y12-0002-1)
	37	12940-M2. 5X6. 5XD3. 6XT8 (Y12-0030)
	38	12955-CTM2. 5X6XD3. 5XT8 (Y12-0297)
	39	12955-M2. 5h0. 6X5XD3. 6XT8 (Y12-0001-1)
	40	12955-M2. 5h0. 6X6. 0XD3. 6XP0. 45XIP8 (Y12-0285)
	41	12955-M2. 5h0. 6X6XD3. 5XT8
	42	12955-M2. 5h0. 6X7XD3. 6XT8 (HY) (Y12-0001-9)
	43	12955-M2. 5h0. 6X8XD3. 6XP0. 45XT8 (Y12-0001-5)
	44	12955-M2. 5X10XD3. 6XT8 (Y12-0001-6)
	45	12955-M2. 5X4. 5XD3. 6XT8 (Y12-0001-8)
	46	12955-M2. 5X5. 0XD3. 5XT8 (Y12-0301)
	47	12955-M2. 5X5. 5XD3. 5XT8 (Y12-0301-1)
	48	12955-M2. 5X5. 5XD3. 6XT8 (Y12-0001-2)
	49	12955-M2. 5X6. 0XD3. 5XT8 (Y12-0301-2)
	50	12955-M2. 5X6. 5XD3. 6XT8 (Y12-0001-4)
	51	12955-M2. 5X6XD3. 6XT8 (Y12-0001-3)
	52	12955-M2. 5X6XD3. 6XT8-TY (Y12-0001-3-2)
	53	12960-M2. 5h0. 3X6XD4. 0XP0. 45XT8 (Y12-0071)
	54	12960-M2. 5h0. 4X4. 5XD3. 3XT8 (MSB-2545) (Y12-0099)
	55	12960-M2. 5h0. 4X5. 5XD3. 3XT8 (MSB-2555) (Y12-0100)
	56	12960-M2. 5h0. 6X6. 5XD3. 5XT7 (Y12-0155)
	57	12960-M2. 5h0. 6X6. 5XD3. 5XT8 (Y12-0249)
	58	12960-M2. 5X5. 5XD4. 2XT8 (Y12-0091)
	59	12960-M2. 5X6. 0XD3. 8XT8 (SK) (Y12-0278)
	60	12960-M2. 5X6. 5X3. 6XP0. 45XT8 (Y12-0244)
	61	12960-M2. 5X6. 5XD3. 45XT8 (HSK) (Y12-0279)
	62	12960-M2. 5X6XD3. 45XT7 (Y12-0155-1)
	63	12960-M2. 5X6XD3. 45XT8 (Y12-0279-2)
	64	12960-M2. 5X7. 3XD3. 5XT8 (Y12-0028)
	65	12960-M2. 5X8. 0XD3. 45XT8 (HSK) (Y12-0279-1)
	66	12990-M2. 5h1. 0X8. 0XD3. 5XT8 (Y12-0290)
	67	12990-M2. 5h1. 5X6. 0XD3. 65XP0. 45XT8 (Y12-0293)
	68	129R28-M2. 5X6XD3. 6XT8 (Y12-0087)
	69	12940-M2. 6h0. 5X6XD3. 6XT8 (Y12-0046)

Not: Müşterinin isteğine göre özel ölçülerde ve yüksek mukavemetli Torqs uç vidaları yapılabilir.

Note: The other countries with a variety of specifications and use high-strength blades Torx screws, can be customized according to customer needs.

Şekil / Shape	NO	Özellikler / Specifications
	70	12920-M3. 0X8XD4. 3XT9 (RC1003)
	71	12925-M3. 0X10XD5. 3XP0. 35XT10 (Y12-0233)
	72	12950-M3. 0h0. 5X6XD4. 0XT8 (Y12-0018-4)
	73	12950-M3. 0h0. 5X7XD4. 0XT8 (Y12-0018)
	74	12950-M3. 0h0. 5X8XD4. 0XT8 (Y12-0018-2)
	75	12950-M3. 0X10XD4. 2XT8 (Y12-0308)
	76	12955-M3. 0h0. 6X6XD4. 2XT10 (Y12-0066-3)
	77	12955-M3. 0h0. 6X7XD4. 2XT10 (Y12-0066)
	78	12955-M3. 0X7XD4. 2XT9 (R220. 29-RD10T3)
	79	12955-M3. 0X8XD4. 2XT10 (Y12-0066-1)
	80	12960-M3. 0h0. 4X6. 5XD4. 0XT8 (Y12-0217)
	81	12960-M3. 0h0. 5X7. 5XD4. 0XP0. 5XT8 (Y12-0292-1)
	82	12960-M3. 0h0. 8X7. 5XD4. 8XH2 (Y12-0129)
	83	12960-M3. 0X5. 2XD3. 85XT8 (Y12-0255-1)
	84	12960-M3. 0X6XD3. 85XT8 (Y12-0255)
	85	12960-M3. 0X7. 2XD4. 2XT9 (Y12-0239)
	86	12960-M3. 0X7. 5XD5. 0XT8 (Y12-0188)
	87	12960-M3. 0X7XD4. 0XT8 (SH) (Y12-0148)
	88	12960-M3. 0X8. 5XD4. 2XP0. 5XT9 (Y12-0245)
	89	12990-M3. 0h0. 3X6XD5. 0XT10 (Y12-0237)

Not: Müşterinin isteğine göre özel ölçülerde ve yüksek mukavemetli Torqs uç vidaları yapılabilir.

Note: The other countries with a variety of specifications and use high-strength blades Torx screws, can be customized according to customer needs.



Şekil / Shape	NO	Özellikler / Specifications
	90	12950-M3. 5h0. 5X10XD5. 0XT15 (Y12-0017-1)
	91	12955-M3. 5X8. 5X5. 2 (ST) XT15 (Y12-0254)
	92	12955-M3. 5X8. 5XD5. 2XP0. 6XT15 (Y12-0241)
	93	12960-M3. 5h0. 3X10XD5. 5XT15 (Y12-0050-1)
	94	12960-M3. 5h0. 3X12XD5. 5XP0. 6XT15 (Y12-0050)
	95	12960-M3. 5h0. 3X8. 5XD5. 3XT15 (Y12-0033)
	96	12960-M3. 5h0. 7X11XD5. 5XT15 (MSA-35110) (Y12-0094)
	97	12960-M3. 5h0. 7X8XD5. 5XT15 (MSA-3580) (Y12-0093)
	98	12960-M3. 5h0. 7X9XD5. 3XT15 (Y12-0142)
	99	12960-M3. 5h1. 0X10XD5. 0XT15 (Y12-0252)
	100	12960-M3. 5h1. 0X7. 4XD5. 2XT15 (Y12-0334)
	101	12960-M3. 5h1. 0X9XD5. 7XP0. 6XT15 (Z*S) (Y12-0034)
	102	12960-M3. 5h1. 2X12XD7. 0XT20 (SE1204) (Y12-0132)
	103	12960-M3. 5h1. 2X8. 5XD5. 3XT15
	104	12960-M3. 5h2. 0X9XD5. 0XT15 (Y12-0250)
	105	12960-M3. 5X6. 5XD5. 3XT15 (Y12-0033-1)
	106	12960-M3. 5X8. 5XD4. 9XP0. 6XT10 (Y12-0236)
	107	12960-M3. 5X9XD5. 5XP0. 6XT15 (S*H) (Y12-0049)
	108	12960-SM3. 5h1. 2X10XD5. 3XT15 (Y12-0008-1)
	109	12960-SM3. 5h1. 2X12XD5. 3XT15 (Y12-0007)
	110	12960-SM3. 5h1. 2X8. 5XD5. 3XT15 (Y12-0008)

Not: Müşterinin isteğine göre özel ölçülerde ve yüksek mukavemetli Torqs uç vidaları yapılabilir.

Note: The other countries with a variety of specifications and use high-strength blades Torx screws, can be customized according to customer needs.

Şekil / Shape	NO	Özellikler / Specifications
	110	12935-M4. 0h0. 4X9XD5. 0XT15 (Y12-0040)
	111	12940-M4. 0h0. 75X15XD6. 4XP0. 7XT20 (Y12-0202)
	112	12940-M4. 0X11XD5. 0XP0. 7 (Y12-0205)
	113	12942-M4. 0X8XD5. 2XT15 (Y12-0283)
	113-1	12942-M4X9XD5. 1 (Y12-283-1)
	114	12955-M4. 0h1. 1X16XD7. 0XT20 (Y12-0130-1)
	115	12955-M4. 0X10. 3XD5. 7XT15 (ZJ) (Y12-0295)
	116	12955-M4. 0X12XD7. 0XT20 (Y12-0159)
	117	12960-M4. 0h0. 6X15XD7. 0XT15 (Y12-0051)
	118	12960-M4. 0h0. 7X8XD5. 8XT15 (MSA-4080) (Y12-0095)
	119	12960-M4. 0h0. 8X10XD5. 5XT15 (MSB-40100) (Y12-0101)
	120	12960-M4. 0h0. 8X10XD5. 7XT15 (Y12-0013)
	121	12960-M4. 0h0. 8X12XD5. 7XT15 (Y12-0013-5)
	122	12960-M4. 0h0. 8X27. 7XD5. 8XT15 (Y12-0081)
	123	12960-M4. 0h0. 8X8XD5. 7XT15 (Y12-0013-2)
	124	12960-M4. 0h0. 8X9XD5. 7XT15 (Y12-0013-4)
	125	12960-M4. 0h1. 4X13XD5. 5XT15 (Y12-0325)
	126	12960-M4. 0h1. 8X12XD5. 7XT15 (BCF262-141) (Y12-0036)
	127	12960-M4. 0X11XD5. 5XT15 (GR) (Y12-0224)
	128	12960-M4. 0X12. 2XD5. 7XT15 (Y12-0149)
	129	12960-M4. 0X12. 7XD6. 0XT15 (YX-0037)
	130	12960-M4. 0X12XD5. 5XT15 (Y12-0317)
	131	12960-M4. 0X12XD5. 7XT15 (Y12-0299)
	132	12960-M4. 0X13. 6XD5. 5XT15 (Y12-0210)
	133	12960-M4. 0X14XD5. 7XT15 (YX-0022)
	134	12960-M4. 0X20XD7. 0XT20 (Y12-0316)
	135	12962-M4. 0X11XD5. 5XT15 (Y12-0309)
	136	12965-M4. 0X13XD5. 7XT15
	137	12970-M4. 0X12. 5XD7. 1XT15 (Y12-0327)
	138	12975-M4. 0X11XD6. 3XP0. 7XT15 (Y12-0206)
	139	12990-M4. 0h1. 2X12XD6. 5XP0. 5XT15 (Y12-0041)
	140	12990-M4. 0X6XD6. 5XT15 (Y12-0330)
	141	129R47-M4. 0X13XD6. 0XT15 (Y12-0284-2)
	142	129R47DH-M4. 0h0. 8X10XD6. 0XT15 (Y12-0284-DH)
	143	129R47-M4. 0h0. 8X10XD6. 0XT15 (Y12-0284)
	144	12960-CTM4. 0h0. 8X10XD5. 7XT15 (Y12-0286)
	145	12960-CTM4. 0X8XD5. 7XT15 (Y12-0012)
	146	12945-M4X8XD5. 0XT15 (Y12-0253)DCM

Not: Müşterinin isteğine göre özel ölçülerde ve yüksek mukavemetli Torqs uç vidaları yapılabilir.

Note: The other countries with a variety of specifications and use high-strength blades Torx screws, can be customized according to customer needs.

Şekil / Shape	NO	Özellikler / Specifications
	147	12955-M4. 5h0. 6X9. 8XD6. 8XT20 (DSW-4510H) (Y12-0130)
	148	12955-M4. 5h0. 8X14XD6. 8XT20 (Y12-0199)
	149	12955-M4. 5h0. 9X11. 6XD6. 8XT20 (Y12-0048)
	150	12955-M4. 5X12. 6XD6. 8XT20 (DSW-4512H)
	151	12955-M4. 5X12XD6. 4XT20 (Y12-0256)
	152	12956-M4. 5X12XD5. 8XT15 (YX12-0247)
	153	12960-M4. 5h0. 6X11XD7. 0XT20 (Y12-0052)
	154	12960-M4. 5h0. 7X11XD6. 3XP0. 75XT20 (Y12-0070)
	155	12960-M4. 5h0. 7X12XD6. 8XT20 (MSA-45120) (Y12-0097)
	156	12960-M4. 5h0. 7X9XD6. 8XT20 (MSA-4590) (Y12-0096)
	157	12960-M4. 5h0. 8X12. 0XD6. 4XT20 (Y12-0267)
	158	12960-M4. 5X15XD6. 7XP0. 5XT20 (Y12-0294)
	159	12960-M4. 5X15XD6. 8XT20 (MSA-45150)

Not: Müşterinin isteğine göre özel ölçülerde ve yüksek mukavemetli Torx uç vidaları yapılabilir.

Note: The other countries with a variety of specifications and use high-strength blades Torx screws, can be customized according to customer needs.



Şekil / Shape	NO	Özellikler / Specifications
	160	12935-M5. 0X10. 6XD6. 27XT20 (Y12-0216)
	161	12940-M5. 0h0. 3X11XD6. 4XP0. 8XT20 (YX-0016)
	162	12940-M5. 0h0. 3X13XD6. 4XP0. 8XT20 (Y12-0016-1)
	163	12944-M5. 0X13XD6. 4XT20 (GR) (Y12-0248)
	164	12950-M5. 0h0. 5X14XD7. 3XT15 (Y12-0181)
	165	12950-M5. 0X12X7. 0XP0. 8XT20 (Y12-0246)
	166	12950-M5. 0X13. 9XD7. 26XT15
	167	12950-M5. 0X13. 9XD7. 28XT15 (Y12-0323)
	168	12955-M5. 0h1. 3X12XD7. 2XT20 (Y12-0025)
	169	12955-M5. 0X10XD7. 2XT20 (Y12-0025-1)
	170	12955-M5. 0X14XD7. 2XT20 (Y12-0025-2)
	171	12956-M5. 0h1. 2X12XD7. 0XT20 (Y12-0258)
	172	12960-BCFM5. 0X12XD7. 2XT20 (RCF) (Y12-0079)
	173	12960BF-M5. 0h0. 6X12XD7. 2 (Y12-0229)
	174	12960-M5. 0h0. 4X10XD7. 0XT20 (Y12-0197)
	175	12960-M5. 0h0. 4X11XD6. 6XT20 (Y12-0064)
	176	12960-M5. 0h0. 4X9XD7. 0XT20 (Y12-0198)
	177	12960-M5. 0h0. 8X11XD7. 2XT20 (Y12-0084)
	178	12960-M5. 0h0. 8X11XD7. 2XT20 (Y12-0029-2)
	179	12960-M5. 0h0. 8X11XD8. 2XT20 (MSB-50110) (Y12-0102)
	180	12960-M5. 0h0. 8X13. 2XD7. 2XT20 (Y12-0029)
	181	12960-M5. 0h1. 0X11XD7. 0XT20 (KM12) (Y12-0141)
	182	12960-M5. 0h1. 2X12XD7. 0XT20 (Y12-0157)
	183	12960-M5. 0X11XD7. 2XT20 (GR) (Y12-0215)
	184	12960-M5. 0X13XD7. 2
	185	12960-M5. 0X13XD7. 2XT20 (Y12-0062)
	186	12960-M5. 0X14XD6. 6XT20 (Y12-0134)
	187	12960-M5. 0X18XD8. 2XT20 (MSA-50180)
	188	12960W-M5. 0h0. 5X16XD7. 0XP0. 8XT20 (Y12-0072)
	189	12965-M5. 0h0. 4X12X Φ 8XT20 (Y12-0042)
	190	12982-M5. 0h0. 5X16. 5XD7. 3XT20 (Y12-0055)
	191	12982-M5. 0h0. 8X19XD7. 3XT20 (Y12-0054)
	192	12982-M5. 0X13XD7. 3XT20 (Y12-0078-1)
	193	12982-M5. 0X14XD7. 0XT20 (Y12-0303)
	194	12982-M5. 0X15. 5XD7. 0XT20 (Y12-0310)
	195	12990-M5. 0h1. 2X16XD7. 5XT20 (Y12-0047)
	196	129R4-M5. 0h0. 7X11. 5XD7. 0XT20 (Y12-0296)
	197	12990-GB/T-70. 3-M5X30XH3 (Y12-0082)

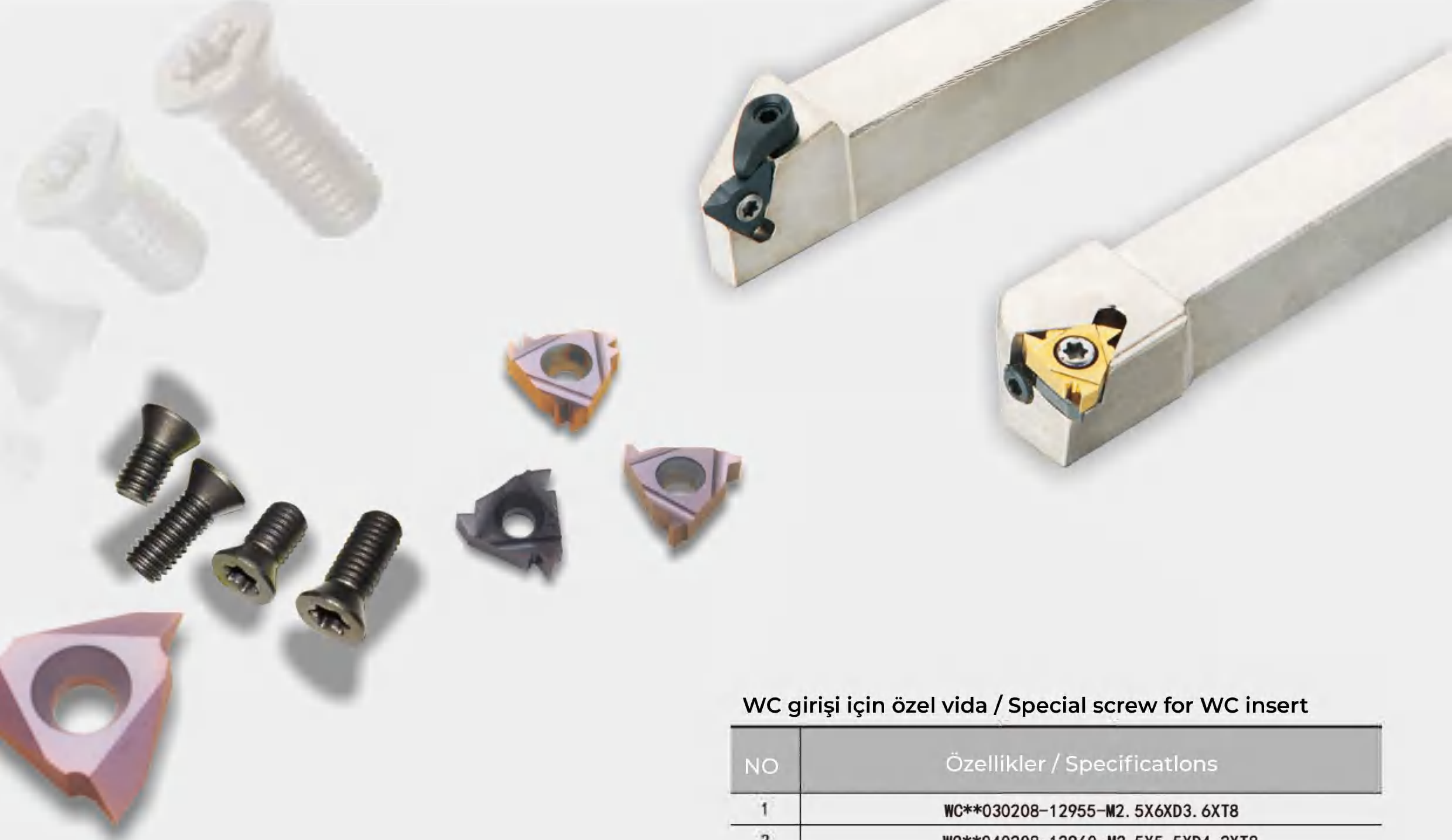


Şekil / Shape	NO	Özellikler / Specifications
	198	12990-GB/T-70. 3-M6X40XH4 (Y12-0083)
	199	12950-M6h2. 8X18XD8. 7XT30 (Y12-0328)
	200	12945-M6. 0X16XD8. 5XT25 (Y12-0225)
	201	12960-M6. 0h0. 8X28. 6XD8. 5XT20 (Y12-0080)



Not: Müşterinin isteğine göre özel ölçülerde ve yüksek mukavemetli Torx uç vidaları yapılabilir.

Note: The other countries with a variety of specifications and use high-strength blades Torx screws, can be customized according to customer needs.



Diş açma ucu için özel vida / Special screw for threading insert

NO	Özellikler / Specifications	Kesici Uç Insert	Anahtar Wrench
1	12960-M2. 0X3. 3XD2. 8	061R	T6
2	12960-M2. 2X4. 5XD3. 0	081R	T7
3	12960-M2. 5X5. 5XD4. 2	111R	T8
4	12960-M3. 5X8XD5. 5	161R	T15
5	12960-M3. 5X11XD5. 5	161R	T15
6	12960-M4. 0X8XD5. 8	TGF32	T15
7	12960-M4. 5X9XD6. 8	TG43	T20
8	12960-M4. 5X12XD6. 8	221R	T20
9	12960-M4. 5X15XD6. 8	221R	T20
10	12960-M1/8X12X40GXD5. 6	161R	T10

WC girişi için özel vida / Special screw for WC insert

NO	Özellikler / Specifications
1	WC**030208-12955-M2. 5X6XD3. 6XT8
2	WC**040208-12960-M2. 5X5. 5XD4. 2XT8
3	WC**050308-12955-M3X7XD4. 2XT10
4	WC**06T308-12960-M3. 5X8. 5XD5. 3XT15
5	WC**080412-12960-M4X10XD5. 7XT15

SP girişi için özel vida / Special screw for SP insert

NO	Özellikler / Specifications
1	SP**050204-12950-M2X5XD2. 8XT6
2	SP**060204-12960-M2. 2Xh0. 8X5XD3. 1XP0. 45XT7
3	SP**07T308-12960-M2. 5X7. 3XD3. 5XT8
4	SP**090408-12960-M3. 5X8. 5XD5. 3XT15
5	SP**110408-12960-M4X10XD5. 7XT15
6	SP**140512-12955-M5X12XD7. 2XT20

