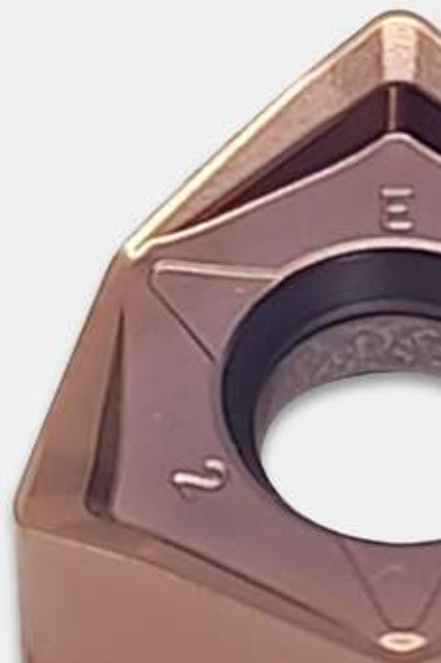




EURLOY


FREZELEME

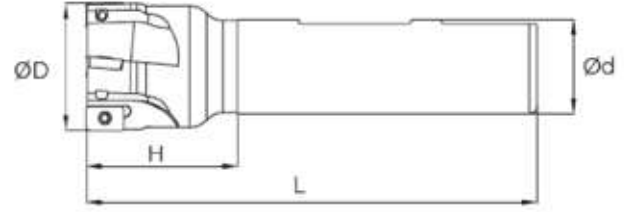
MILLING



FREZELEME

MILLING


 Saplı Taramalar
Milling Tools

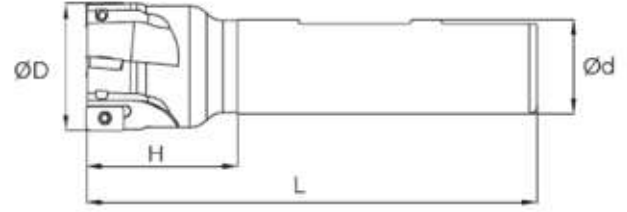


Takım Kodu Order Code	D	Z	L1	L	d	Uç Insert	Vida Screw	Anahtar Torx Key
MSG012-01-AP10-120	12	2	30	120	12	APKT10...	SM2,5X7	T08
MSG012-01-AP10-120-C	12	2	30	120	12			
MSG014-01-AP10-120	14	2	30	120	12			
MSG016-02-AP10-100	16	2	30	120	16			
MSG016-02-AP10-100-C	16	2	30	120	16			
MSG016-02-AP10-120	16	2	30	120	16			
MSG016-02-AP10-120-C	16	2	30	120	16			
MSG016-02-AP10-150	16	2	40	150	16			
MSG016-02-AP10-150-C	16	2	40	150	16			
MSG016-02-AP10-200	16	2	50	200	16			
MSG016-02-AP10-200-C	16	2	50	200	16			
MSG016-02-AP10-250	16	2	50	250	16			
MSG018-02-AP10-100	18	2	30	100	16			
MSG018-02-AP10-100-C	18	2	30	100	16			
MSG018-02-AP10-120	18	2	30	120	16			
MSG018-02-AP10-120-C	18	2	30	120	16			
MSG018-02-AP10-150	18	2	40	150	16			
MSG018-02-AP10-150-C	18	2	40	150	16			
MSG018-02-AP10-200	18	2	50	200	16			
MSG018-02-AP10-200-C	18	2	50	200	16			
MSG020-03-AP10-100	20	3	30	100	20			
MSG020-03-AP10-100-C	20	3	30	100	20			
MSG020-03-AP10-120	20	3	30	120	20			
MSG020-03-AP10-120-C	20	3	30	120	20			
MSG020-03-AP10-150	20	3	40	150	20			
MSG020-03-AP10-150-C	20	3	40	150	20			
MSG020-03-AP10-200	20	3	60	200	20			
MSG020-03-AP10-200-C	20	3	60	200	20			
MSG020-03-AP10-250	20	3	70	250	20			
MSG022-03-AP10-100	22	3	30	100	20			
MSG022-03-AP10-100-C	22	3	30	100	20			
MSG022-03-AP10-120	22	3	30	120	20			
MSG022-03-AP10-120-C	22	3	40	120	20			
MSG022-03-AP10-150	22	3	40	150	20			
MSG022-03-AP10-150-C	22	3	40	150	20			
MSG022-03-AP10-200	22	3	50	200	20			
MSG022-03-AP10-250	22	3	50	250	20			
MSG025-03-AP10-100	25	3	30	100	25			
MSG025-03-AP10-100-C	25	3	30	100	25			
MSG025-03-AP10-120	25	3	30	120	25			

FREZELEME

MILLING

 Saplı Taramalar
Milling Tools



Takım Kodu Order Code	D	Z	L1	L	d	Uç Insert	Vida Screw	Anahtar Torx Key
MSG025-03-AP10-120-C	25	3	40	120	25	APKT10...	SM2,5X7	T08
MSG025-03-AP10-150	25	3	40	150	25			
MSG025-03-AP10-150-C	25	3	40	150	25			
MSG025-03-AP10-200	25	3	60	200	25			
MSG025-03-AP10-200-C	25	3	60	200	25			
MSG025-03-AP10-250	25	3	70	250	25			
MSG026-03-AP10-150	26	3	40	150	25			
MSG026-03-AP10-200	26	3	35	200	25			
MSG026-03-AP10-150	26	3	35	250	25			
MSG028-04-AP10-150	28	3	40	150	25			
MSG028-03-AP10-150	28	3	40	150	25			
MSG030-04-AP10-100	30	4	30	100	25			
MSG030-04-AP10-100-C	30	4	30	100	25			
MSG030-04-AP10-120	30	4	30	120	25			
MSG030-04-AP10-120-C	30	4	30	120	25			
MSG030-04-AP10-150	30	4	40	150	25			
MSG030-04-AP10-150-C	30	4	40	150	25			
MSG030-04-AP10-200-C	30	4	40	200	25			
MSG030-04-AP10-300	30	4	40	200	25			
MSG032-04-AP10-150	30	4	40	300	25			
MSG032-04-AP10-150-C	32	4	40	150	25			
MSG032-04-AP10-200	32	4	60	150	32			
MSG032-04-AP10-200-C	32	4	60	200	32			
MSG035-04-AP10-100	32	4	60	200	32			
MSG035-04-AP10-100-C	35	4	30	100	32			
MSG035-04-AP10-120	35	4	30	100	32			
MSG035-04-AP10-120-C	35	4	30	120	32			
MSG035-04-AP10-150	35	4	30	120	32			
MSG035-04-AP10-150-C	35	4	30	150	32			
MSG035-04-AP10-200	35	4	30	150	32			
MSG040-04-AP10-100	35	4	30	200	32			
MSG040-05-AP10-100-C	40	5	40	100	32			
MSG040-05-AP10-120	40	5	40	100	32			
MSG040-05-AP10-120-C	40	5	40	120	32			
MSG040-05-AP10-150	40	5	40	120	32			
MSG040-05-AP10-150-C	40	5	40	150	32			
MSG040-05-AP10-200	40	5	40	200	32			
MSG40-05-AP10-200-C	40	5	40	200	32			

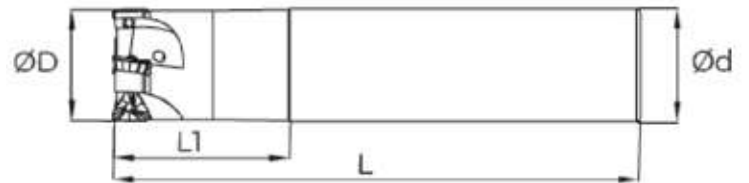
FREZELEME

MILLING

 Saplı Taramalar
Milling Tools




Takım Kodu Order Code	D	Z	L1	L	d	Uç Insert	Vida Screw	Anahtar Torx Key
MSG016-02-AP11-L100	16	2	30	100	16	APKT11T3...	SM2,5X6	T08
MSG016-02-AP11-L100	16	2	30	160	16			
MSG016-02-AP11-L160-C	16	2	30	160	16			
MSG016-02-AP11-L200	16	2	30	200	16			
MSG016-02-AP11-L200-C	16	2	30	200	16			
MSG017-02-AP11-L160	17	2	30	160	16			
MSG017-02-AP11-L160	17	2	30	200	16			
MSG017-02-AP11-L200	17	2	30	250	16			
MSG017-02-AP11-L250	18	2	30	160	16			
MSG018-02-AP11-L160	20	3	30	120	20			
MSG020-03-AP11-L120	20	3	30	160	20			
MSG020-03-AP11-L160	20	3	40	160	20			
MSG020-03-AP11-L160-C	20	3	40	200	20			
MSG020-03-AP11-L200	21	3	40	160	20			
MSG021-03-AP11-L160	21	3	40	200	20			
MSG021-03-AP11-L250	22	3	40	250	20			
MSG025-03-AP11-L120	25	3	40	120	25			
MSG025-03-AP11-L160	25	3	40	160	25			
MSG025-03-AP11-L200	25	3	40	200	25			
MSG026-03-AP11-L160	26	3	50	160	25			
MSG026-03-AP11-L200	26	3	30	200	25			
MSG026-03-AP11-L250	26	3	40	250	25			
MSG032-04-AP11-L200	32	4	50	200	32			

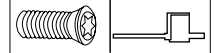
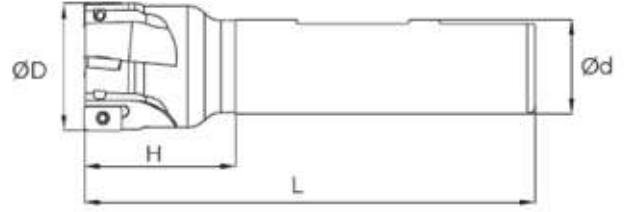


Takım Kodu Order Code	D	Z	L1	L	d	Vida Screw	Anahtar Torx Key
MST020-02-3P10-150	20	2	40	150	20	SM2,5X7	T08
MST025-03-3P10-150	25	3	50	150	25		
MST032-04-3P10-150	32	4	35	150	32		

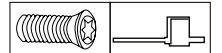
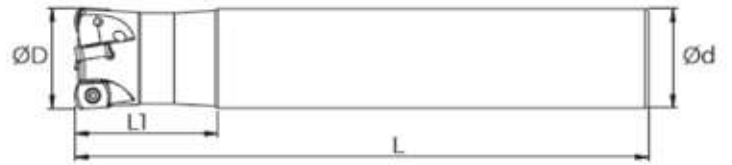
FREZELEME

MILLING

 Saplı Taramalar
Milling Tools




Takım Kodu Order Code	D	Z	L1	L	d	Uç Insert	Vida Screw	Anahtar Torx Key
MSG025-02-AP16-170	25	2	37	170	25	APKT16...	SM4X9	T15
MSG026-02-AP16-200	26	2	41	200	25			
MSG026-02-AP16-250	26	2	50	250	25			
MSG032-03-AP16-170	32	3	70	170	25			
MSG033-03-AP16-200	33	3	70	200	32			
MSG033-03-AP16-250	33	3	70	250	32			
MSG033-03-AP16-300	33	3	41	300	32			
MSG033-03-AP16-350	33	3	41	350	32			
MSG033-03-AP16-400	33	3	41	400	32			

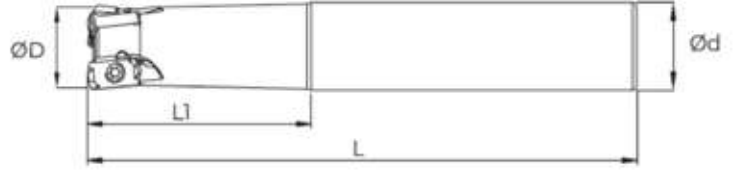


Takım Kodu Order Code	D	Z	L1	L	d	Uç Insert	Vida Screw	Anahtar Torx Key
MST016-02-BL06-150	16	2	35	150	15	BLMP06...	SM2,5X8	T08
MST016-02-BL06-150	16	2	35	150	16			
MST017-02-BL06-100	17	2	35	100	16			
MST017-02-BL06-150	17	2	35	150	16			
MST017-02-BL06-200	17	2	35	200	16			
MST020-03-BL06-150	20	3	35	150	20			
MST021-03-BL06-150	21	3	35	150	20			
MST021-03-BL06-200	21	3	35	200	20			
MST025-04-BL06-150	25	4	35	150	25			
MST026-04-BL06-150	26	4	35	150	25			
MST026-04-BL06-200	26	4	35	200	25			
MST032-05-BL06-200	32	5	35	200	32			
MST033-05-BL06-200	33	5	35	200	32			

FREZELEME

MILLING


 Saplı Taramalar
Milling Tools

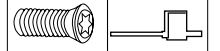
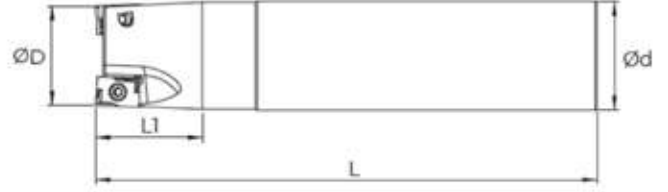


Takım Kodu Order Code	D	Z	L1	L	d	Uç Insert	Vida Screw	Anahtar Torx Key
MSY016-02-LN03-100-C	16	2	30	100	16	LNGX 0303...	SM3X8	T10
MSY016-02-LN03-160-C	16	2	60	160	16			
MSY016-02-LN03-200-C	16	2	60	200	16			
MSY017-02-LN03-160-C	17	2	25	160	16			
MSY017-02-LN03-200-C	17	2	25	200	16			
MSY018-02-LN03-160-C	18	2	25	160	16			
MSY020-03-LN03-100-C	20	3	50	100	20			
MSY020-03-LN03-110-C	20	3	50	110	20			
MSY020-03-LN03-130-C	20	3	50	130	20			
MSY020-03-LN03-160-C	20	3	60	160	20			
MSY020-03-LN03-200-C	20	3	60	200	20			
MSY020-03-LN03-220-C	20	3	60	220	20			
MSY021-03-LN03-160-C	21	3	25	160	20			
MSY022-03-LN03-180-C	22	3	25	160	20			
MSY025-04-LN03-150-C	22	3	25	180	20			
MSY025-04-LN03-160-C	25	4	50	150	25			
MSY025-04-LN03-180-C	25	4	50	160	25			
MSY026-02-LN03-300-C	25	4	50	180	25			
MSY026-04-LN03-160-C	26	2	30	300	25			
MSY026-04-LM03-180-C	26	4	30	160	25			
MSY028-04-LN03-160-C	26	4	30	180	25			
MSY028-05-LN03-160-C	28	4	30	160	25			
MSY028-05-LN03-180-C	28	5	30	160	25			
MSY032-05-LN03-160-C	32	5	60	180	25			
MSY032-05-LN03-160-C	32	5	60	160	32			
MSY032-05-LN03-200-C	32	5	35	200	32			
MSY033-05-LN03-160-C	33	5	50	160	32			

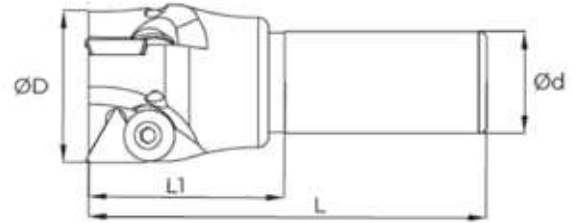
FREZELEME

MILLING

 Saplı Taramalar
Milling Tools




Takım Kodu Order Code	D	Z	L1	L	d	Uç Insert	Vida Screw	Anahtar Torx Key
MSK014-01-LN10-090	14	1	30	90	16	LNMX10...	SM3X8	T10
MSK016-01-LN10-090	16	1	30	90	16			
MSK018-02-LN10-090	18	2	30	90	16			
MSK018-02-LN10-120	18	2	30	120	16			
MSK020-02-LN10-100	20	2	30	150	188			
MSK020-02-LN10-150	20	2	30	100	20			
MSK020-02-LN10-150	20	2	50	150	20			
MSK025-02-LN10-115	25	3	30	150	24			
MSK025-03-LN10-115	25	2	30	115	25			
MSK025-03-LN10-150	25	3	30	115	25			
MSK025-03-LN10-150	25	3	50	150	25			
MSK032-03-LN10-125	32	3	50	125	32			
MSK032-04-LN10-125	32	4	50	125	32			
MSK040-04-LN10-130	40	4	40	130	32			
MSK040-05-LN10-130	40	5	40	130	32			
MSK050-05-LN10-135	50	5	40	135	32			

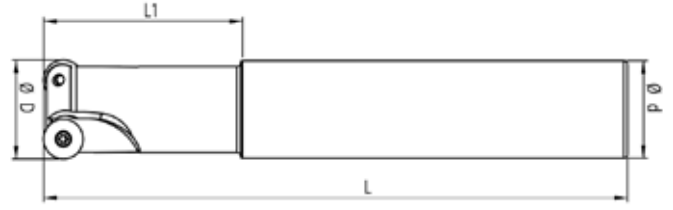


Takım Kodu Order Code	D	Z	L1	L	d	Uç Insert	Vida Screw	Anahtar Torx Key
MSG035-02-TP16-100	35	2	50	100	25	TPKN 16...	SM6X0,75	A4
MSG040-03-TP16-100	40	3	50	100	25			
MSG050-03-TP16-100	50	3	50	100	25			

FREZELEME

MILLING


 Saplı Taramalar
Milling Tools

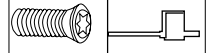
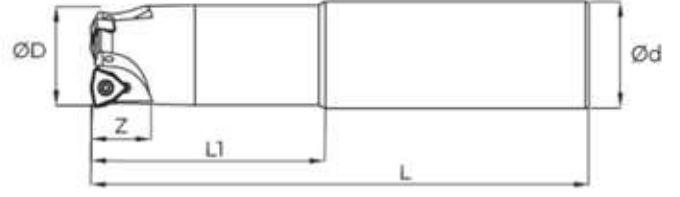


Takım Kodu Order Code	D	Z	L1	L	d	Uç Insert	Vida Screw	Anahtar Torx Key
MSG016-02-RD0803-120	16	2	40	120	16	RD...0803	SM3X6	T8
MSG016-02-RD0803-150	16	2	40	150	16			
MSG020-02-RD1003-120	20	2	40	120	20	RD..1003	SM3X8	T15
MSG020-02-RD1003-150	20	2	50	150	20			
MSG020-02-RD1003-200	20	2	50	200	20			
MSG025-02-RD1003-150	25	2	50	150	25			
MSG025-02-RD1003-200	25	2	60	200	25			
MSG032-02-RD1003-250	32	2	100	250	32			
MSG032-03-RD1003-150	32	3	60	150	32			
MSG032-03-RD1003-200	32	3	60	200	32			
MSG032-03-RD1003-250	32	3	100	250	32			
MSG040-02-RD1003-250	40	2	55	250	32			
MSG040-04-RD1003-150	40	4	55	150	32			
MSG040-04-RD1003-250	40	4	55	250	32			
MSG020-02-RD10T3-150	20	2	50	150	20	RD..10T3	SM3X8	T15
MSG025-02-RD10T3-150	25	2	50	150	25			
MSG025-02-RD10T3-200	25	2	70	200	25			
MSG032-02-RD10T3-250	32	2	100	250	32			
MSG032-03-RD10T3-150	32	3	70	150	32			
MSG032-03-RD10T3-160	32	3	50	160	32			
MSG040-02-RD10T3-250	40	2	55	250	32			
MSG040-04-RD10T3-150	40	4	55	150	32			
MSG040-04-RD10T3-250	40	4	55	250	32			
MSG025-02-RD1204-150	25	2	50	150	25	RD..1204	SM3X8	T15
MSG025-02-RD1204-200	25	2	40	200	25			
MSG032-03-RD1204-150	32	3	30	150	25			
MSG032-03-RD1204-150	32	3	60	150	32			
MSG032-03-RD1204-200	32	3	60	200	25			
MSG032-03-RD1204-200	32	3	40	200	32			
MSG040-04-RD1204-150	40	4	55	150	25			
MSG040-04-RD1204-150	40	4	55	150	32			

FREZELEME

MILLING

 Saplı Taramalar
Milling Tools



Takım Kodu Order Code	D	Z	L1	L	d	Uç Insert	Vida Screw	Anahtar Torx Key
MSK025-02-WN09-150	25	2	70	150	25	WNGX 09T3	SM3X8	T10
MSK032-03-WN09-150	32	3	70	150	32			




Takım Kodu Order Code	D	Z	L1	L	d	Uç Insert	Vida Screw	Anahtar Torx Key
MSK016-02-WN06-150	16	2	70	150	16	WNGX 0603	SM2,5X8	T08
MSK017-02-WN06-150	17	2	70	150	16			
MSK020-03-WN06-150	20	3	70	150	20			
MSK021-03-WN06-150	21	3	70	150	20			

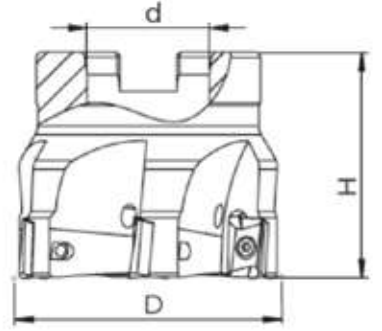


Takım Kodu Order Code	D	Z	L1	L	d	Vida Screw	Anahtar Torx Key
MST020-02-3P10-150	20	2	40	150	20	SM2,5X6	T08
MST025-03-3P10-150	25	3	50	150	25		
MST032-04-3P10-150	32	4	35	150	32		

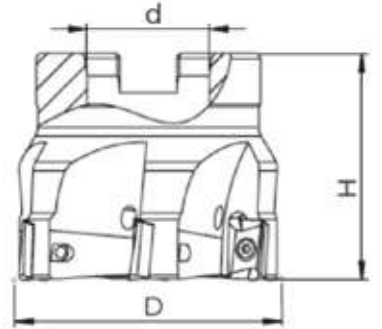
FREZELEME

MILLING

 Freze Kafaları
Milling Heads




Takım Kodu Order Code	D	Z	H	d	Uç Insert	Vida Screw	Anahtar Torx Key
MCG040-05-AP10	40	5	45	16	APKT1003 APKT11T3	SM2,5X7	T08
MCG040-05-AP10-C	40	5	45	16			
MCG050-06-AP10	50	6	45	22			
MCG050-06-AP10-C	50	6	45	22			
MCG063-06-AP10	63	6	45	22			
MCG063-07-AP10	63	7	45	22			
MCG063-07-AP10-C	63	7	45	22			
MCG080-08-AP10	80	8	52	27			
MCG080-08-AP10-C	80	8	52	27			
MCG100-09-AP10	100	9	52	32			
MCG100-09-AP10-C	100	9	52	32			
MCG040-05-AP11	40	5	45	16			
MCG050-06-AP11	50	6	50	22			
MCG063-07-AP11	63	7	50	22			

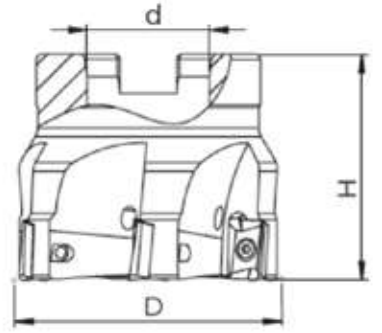


Takım Kodu Order Code	D	Z	H	d	Uç Insert	Vida Screw	Anahtar Torx Key
MCG040-04-AP16	40	4	45	16	APKT1604	SM4X11	T15
MCG050-05-AP16	50	5	45	22			
MCG063-05-AP16	63	5	45	22			
MCG080-07-AP16	80	7	52	27			

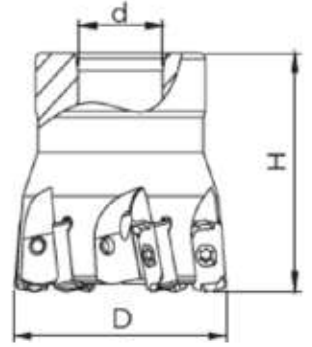
FREZELEME

MILLING

 Freze Kafaları
Milling Heads



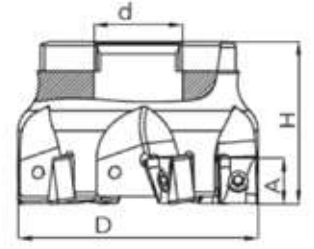
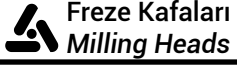
Takım Kodu Order Code	D	Z	H	d	Uç Insert	Vida Screw	Anahtar Torx Key
MCT040-06-BL03	40	6	40	16	BLMP06	SM2,5X7	T08
MCT050-07-BL03	50	7	50	22			
MCT063-08-BL03	63	8	50	22			



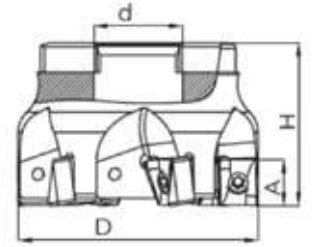
Takım Kodu Order Code	D	Z	H	d	Uç Insert	Vida Screw	Anahtar Torx Key
MCY040-06-LN03	40	6	40	17	LNGX03	SM3X7	T08
MCY050-06-LN03	50	6	50	22			
MCY050-07-LN03	50	7	50	22			
MCY052-06-LN03	52	6	50	22			
MCY052-07-LN03	52	7	50	22			

FREZELEME

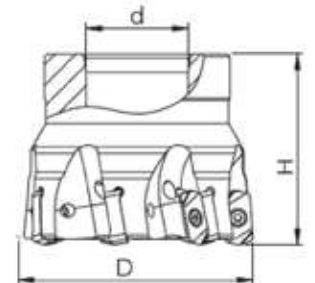
MILLING



Takım Kodu Order Code	D	Z	H	d	Uç Insert	Vida Screw	Anahtar Torx Key
MCK040-04-LN10	40	4	40	16	LNMX1006	SM3X10	T10
MCK040-05-LN10	40	5	40	16			
MCK050-06-LN10	50	6	40	22			



Takım Kodu Order Code	D	Z	H	d	Uç Insert	Vida Screw	Anahtar Torx Key
MCK050-04-LN15	50	4	40	40	LNMX510	SM4X14	T15
MCK063-06-LN15	63	6	40	40			
MCK080-07-LN15	80	7	52	52			
MCK100-08-LN15	100	8	52	52			
MCK125-10-LN15	125	10	62	62			
MCK160-12-LN15	160	12	62	62			



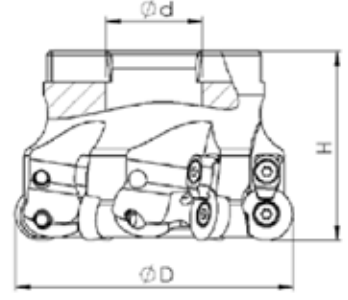
Takım Kodu Order Code	D	Z	H	d	Uç Insert	Vida Screw	Anahtar Torx Key
MCU040-06-LN03	40	6	45	16	LNMU03	SM2,5X8	T08
MCU050-07-LN03	50	7	50	22			
MCU063-08-LN03	63	8	50	22			

FREZELEME

FACE MILLING




Freze Kafaları
Milling Tools

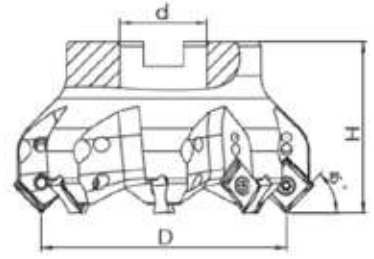


Takım Kodu Order Code	D	Z	H	d	Uç Insert	Vida Screw	Pabuç Clamp	Vida Screw	Vida Screw
MCG040-04-RD1003	40	4	40	16	RD..1003	SM3,5X10	CCK14M	SM3,5X8	T15
MCG050-05-RD1003	50	5	46	22					
MCG063-06-RD1003	63	6	50	22					
MCG080-07-RD1003	80	7	52	27					
MCG100-08-RD1003	100	8	52	32					
MCG050-05-RD10T3	50	5	40	22	RD..10T3				
MCG063-06-RD10T3	63	6	40	22					
MCG080-07-RD10T3	80	7	50	27					
MCG040-04-RD1204	40	4	40	16	RD..1204				
MCG050-05-RD1204	50	5	46	22					
MCG063-06-RD1204	63	6	50	22					
MCG080-07-RD1204	80	7	52	27					
MCG100-08-RD1204	100	8	52	32					
MCG125-09-RD1204	125	9	62	40	RD..12T3				
MCG040-04-RD12T3	40	4	40	16					
MCG050-05-RD12T3	50	5	46	22					
MCG052-05-RD12T3	52	5	46	22					
MCG063-06-RD12T3	63	6	50	22					
MCG080-07-RD12T3	80	7	52	27					
MCG100-08-RD12T3	100	8	52	32					
MCG125-09-RD12T3	125	9	62	40					
MCG160-10-RD12T3	160	12	62	40					
MCG050-04-RD1604	50	4	50	22		RD..1604			
MCG052-04-RD1604	52	4	50	22					
MCG063-04-RD1604	63	4	50	22					
MCG066-05-RD1604	66	5	50	27					
MCG080-05-RD1604	80	5	52	27					
MCG100-06-RD1604	100	6	52	32					
MCG125-07-RD1604	125	7	62	40					
MCG160-08-RD1604	160	8	62	40					
MCG180-11-RD1604	180	11	62	60					
MCG200-12-RD1604	200	12	62	60					

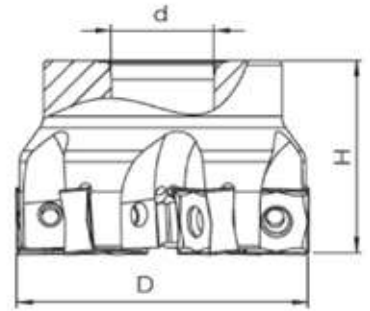
FREZELEME

MILLING

 Freze Kafaları
Milling Heads




Takım Kodu Order Code	D	Z	H	d	Uç Insert	Vida Screw	Anahtar Torx Key
MCK050-05-SN12-45	50	5	40	22	SNMX1205	SM4X12	T15
MCK063-06-SN12-45	63	6	40	22			
MCK080-08-SN12-45	80	8	50	27			
MCK100-10-SN12-45	100	10	50	32			
MCK125-11-SN12-45	125	11	62	40			
MCK160-12-SN12-45	160	12	62	40			

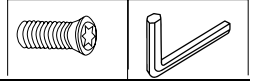
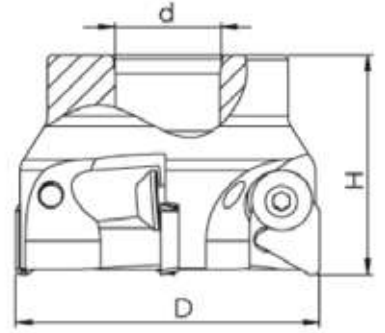


Takım Kodu Order Code	D	Z	H	d	Uç Insert	Vida Screw	Anahtar Torx Key
MCK050-05-SN12-88	50	5	40	22	SNMX1206	SM4,5X11	T20
MCK063-06-SN12-88	63	6	40	22			
MCK080-05-SN12-88	80	8	50	27			
MCK100-10-SN12-88	100	10	50	32			
MCK125-11-SN12-88	125	11	62	40			
MCK160-12-SN12-88	160	12	62	50			
MCK250-08-SN12-88	250	18	62	60			

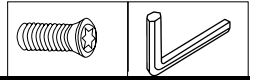
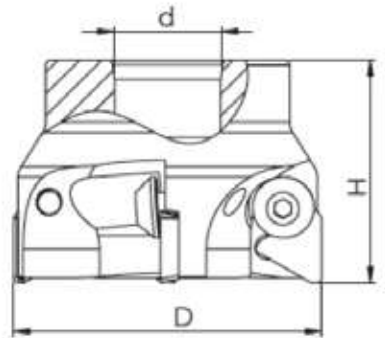
FREZELEME

MILLING

 Freze Kafaları
Milling Heads




Takım Kodu Order Code	D	Z	H	d	Uç Insert	Vida Screw	Anahtar Torx Key
MCG050-03-TP16	50	3	41	22	TPKN16	SM6X0,75	A4
MCG063-04-TP16	63	4	48	22			
MCG080-05-TP16	80	5	52	32			
MCG100-06-TP16	100	6	52	32			

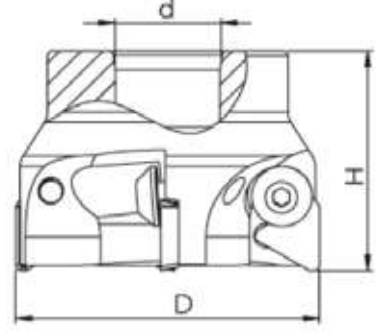


Takım Kodu Order Code	D	3	H	d	Uç Insert	Vida Screw	Anahtar Torx Key
MCG063-03-TP22	63	3	48	22	TPKN22	SM8X1	A5
MCG080-04-TP22	80	4	52	32			
MCG100-05-TP22	100	5	52	32			
MCG125-06-TP22	125	6	62	40			
MCG160-07-TP22	160	7	62	40			
MCG200-08-TP22	200	8	62	60			
MCG250-10-TP22	250	10	62	60			

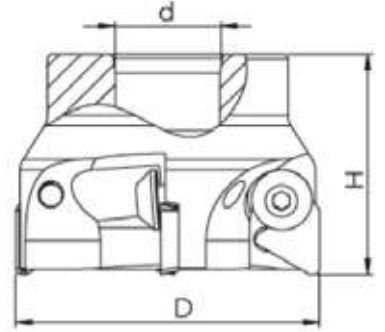
FREZELEME

MILLING

 Freze Kafaları
Milling Heads




Takım Kodu Order Code	D	Z	H	d	Uç Insert	Vida Screw	Anahtar Torx Key
MCY050-04-WN08	50	4	40	22	WNNMU0806	SM5X12	T20
MCY052-04-WN08	52	4	40	22			
MCY063-04-WN08	63	4	40	22			
MCY063-05-WN08	63	5	40	22			
MCY063-06-WN08	63	6	40	22			
MCY080-05-WN08	80	5	45	27			
MCY080-06-WN08	80	6	45	27			
MCY100-07-WN08	100	7	50	32			
MCY125-08-WN08	125	8	50	40			
MCY160-10-WN08	160	10	62	40			
MCY200-12-WN08	200	12	62	50			
MCY250-14-WN08	250	14	62	60			

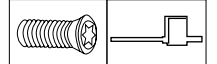
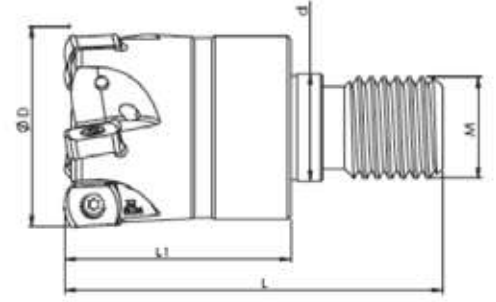


Takım Kodu Order Code	D	Z	H	d	Uç Insert	Vida Screw	Anahtar Torx Key
MCK040-03-WN09	40	3	40	16	WNGX09T3	SM3X10	T10
MCK040-04-WN09	40	4	40	16			
MCK050-05-WN09	50	4	40	22			
MCK052-04-WN09	52	4	40	22			
MCK052-05-WN09	52	5	40	22			
MCK052-06-WN09	52	6	40	22			
MCK063-05-WN09	63	5	40	22			
MCK066-06-WN09	66	6	45	27			

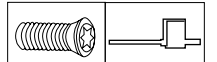
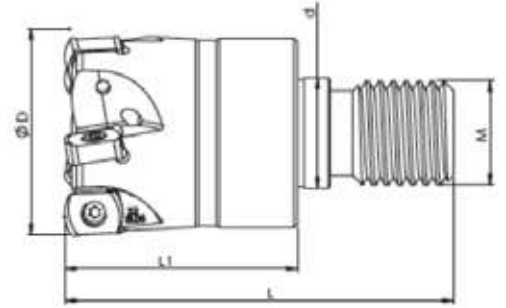
FREZELEME

MILLING

 Vidalı Takımlar
Screw Tools




Takım Kodu Order Code	D	Z	L1	L	d	M	Uç Insert	Vida Screw	Anahtar Torx Key
MTT020-03-BL06-M10	20	3	36	60	10,5	M10	BLMP06	SM2,5X7	T08
MTT025-04-BL06-M12	25	4	36	60	12,5	M12			
MTT032-05-BL06-M16	32	5	36	60	17	M16			
MTT040-06-BL06-M16	40	6	36	60	17	M16			
MTT042-06-BL06-M16	42	6	36	60	17	M16			

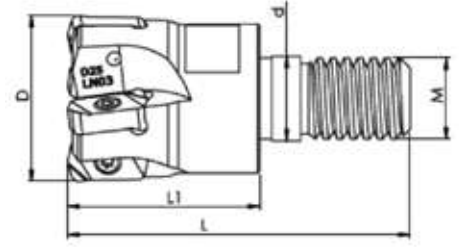


Takım Kodu Order Code	D	Z	L1	L	d	M	Uç Insert	Vida Screw	Anahtar Torx Key
MTY020-03-LN03-M10	20	3	36	60	10,5	M10	LNGX03	SM3X8	T08
MTY025-04-LN03-M12	25	4	36	60	12,5	M12			
MTY032-05-LN03-M16	32	5	38	62	17	M16			
MTY035-05-LN03-M16	35	5	38	62	17	M16			
MTY040-06-LN03-16	40	6	40	65	17	M16			
MTY042-06-LN03-M16	42	6	40	65	17	M16			

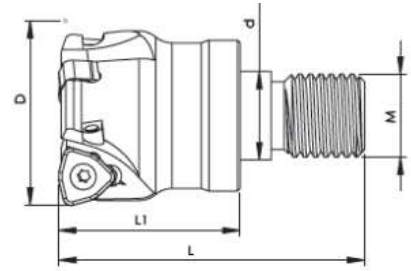
FREZELEME

MILLING

 Vidalı Takımlar
Screw Tools




Takım Kodu Order Code	D	Z	L1	L	d	M	Uç Insert	Vida Screw	Anahtar Torx Key
MTU020-03-LN03-M10	20	3	36	60	10,5	M10	LNMU03	SM2,5X7	T08
MTU025-04-LN03-M12	25	4	36	60	12,5	M12			
MTU032-04-LN03-M16	32	4	38	62	17	M16			
MTU032-05-LN03-M16	32	5	38	62	17	M16			
MTU035-04-LN03-M16	35	5	38	62	17	M16			
MTU040-06-LN03-M16	40	6	40	65	17	M16			
MTU042-05-LN03-M16	42	6	40	65	17	M16			

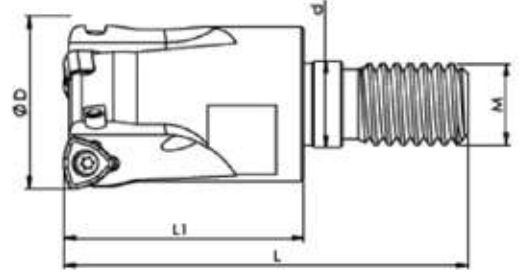


Takım Kodu Order Code	D	Z	L1	L	d	M	Uç Insert	Vida Screw	Anahtar Torx Key
MTK025-02-WN09-M12	25	2	28	50	12,5	M12	WNGX09T3	SM3X10	Y10
MTK032-03-WN09-M16	32	3	38	60	17	M16			
MTK035-03-WN09-M16	35	3	38	60	17	M16			
MTK035-04-WN09-M16	35	4	38	60	17	M16			
MTK040-04-WN09-M16	40	4	38	60	17	M16			

FREZELEME

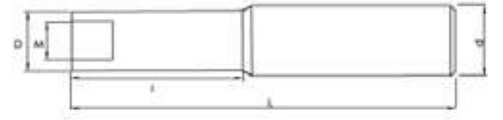
MILLING

 Vidalı Takımlar
Screw Tools



Takım Kodu Order Code	D	Z	L1	L	d	M	Uç Insert	Vida Screw	Anahtar Torx Key
MTK016-02-WN06-M08	16	2	25	42	8,5	M8	WNGX0603	M2,5X8	T08
MTK020-03-WN06-M10	20	3	35	60	10,5	M10			
MTK025-03-WN06-M12	25	3	35	60	12,5	M12			
MTK025-04-WN06-M12	25	4	35	60	12,5	M12			
MTK032-05-WN06-M16	32	5	35	60	17	M16			
MTK035-05-WN06-M16	35	5	35	60	17	M16			

 Vidalı Takımlar İçin Sap
Handle for Screwed Tools



Takım Kodu Order Code	D	d	M	L	l
ET D15 C16 M08 L120-H	15	16	8	120	40
ET D18 C20 M10 L120-H	18	20	10	120	60
ET D18 C20 M10 L170-H	18	20	10	170	90
ET D24 C25 M12 L160-H	24	25	12	160	80
ET D24 C25 M12 L200-H	24	25	12	200	100
ET D24 C25 M12 L250-H	24	25	12	250	150
ET D31 C32 M16 L160-H	31	32	16	160	80
ET D31 C32 M16 L200-H	31	32	16	200	100
ET D31 C32 M16 L250-H	31	32	16	250	150



www.euroloy.com

**Head Office - Via Leonardo Da Vinci, 4
- 20054, Segrate
Milano MI ITALIA**

**Euroloy Italia (+39) 0282398309
Euroloy Turkey (+90) 850 933 3408**

✉ info@euroloy.com

📷 [@euroloytools](https://www.instagram.com/euroloytools)